



**Catalogue**  
CATERING  
**Chapter**  
COOKING

**Model**  
B-G9051 LPG 230V 1N

19022170

14/12/2018

**GAS GRILL TOP, B-G9051**

The new Fagor industrial grills do not carbonize food surface and provide a healthy cooking.

Our grills reach a very high temperature (400°C) that seals the product surface quickly and keeps a more juicy inside .

Their new features include steam cooking.

2 mm stainless AISI-304 steel top with rounded edges for easy cleaning.

Laser cut and automatic welding for a perfect adjustment of sides

between modules with square angle finish.

Gas heated model with three tubular burners with radiant plates.

Control by means of safety valve with thermocouple. Electronic ignition.

Cast iron grill with two 170 mm wide sections. Easy to remove without

tools for any easy cleaning.

Reversible grill to cook different products in a different way:

\_Grooved side and slanted grill for meat.

\_Smooth flat horizontal side for fish and vegetables

Food gets cooked and grilled from direct contact and heat irradiation

from underneath burners.

Grill surface 24 dm<sup>2</sup>

Fitted with a cooking fat drainage hole at the front to collect fat and

grease from cooking and 12 litre collecting tray at the bottom.

Fat collecting trays may be filled with water. Thanks to the heat

irradiated by the burners a low intensity steam is produced to cook in

a steam atmosphere.

Removable 130 mm stainless steel anti splash shield, easy to wash.

Water-tight and protecting-support controls.

High temperature protector for the chimney made of enamelled cast iron.

Front access to components.

According to European standards for components and panels temperature,

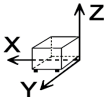
efficiencies and combustion, and sanitary regulations (EN-60335 and

EN-203)

IPX5 grade water protection equipment.

**DIMENSIONS**

X Width	400 mm	X Gross width	440 mm
Y Depth	930 mm	Y Gross depth	1022 mm
Z Height	850 mm	Z Gross height	1255 mm
Net Weight	67,0 kg	Gross Weight	80,0 kg
Net volume	0,134 m <sup>3</sup>	Gross volume	0,564 m <sup>3</sup>

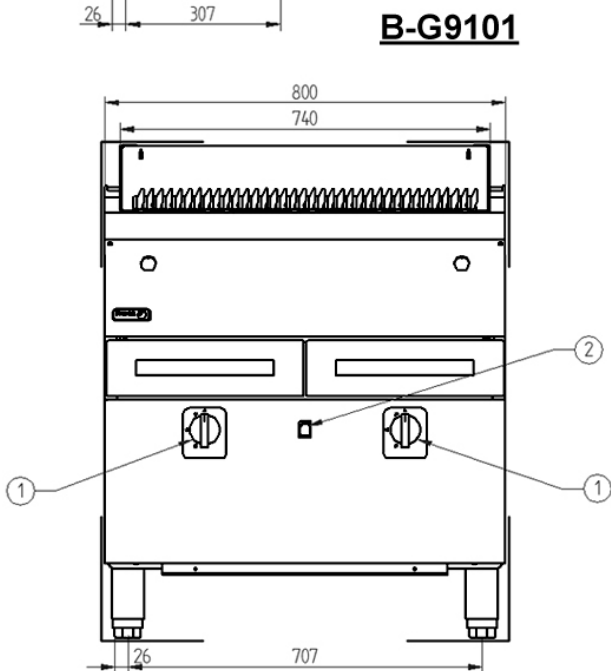
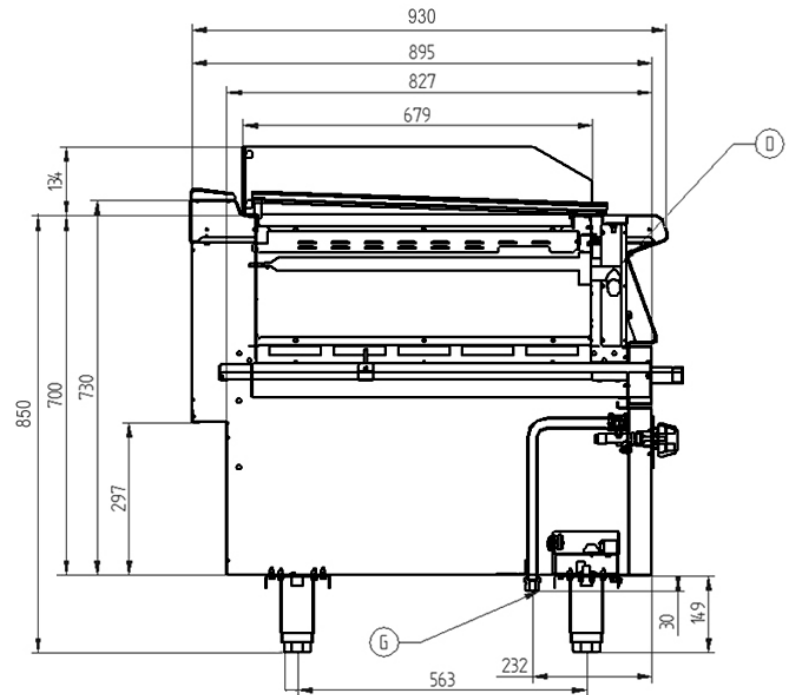
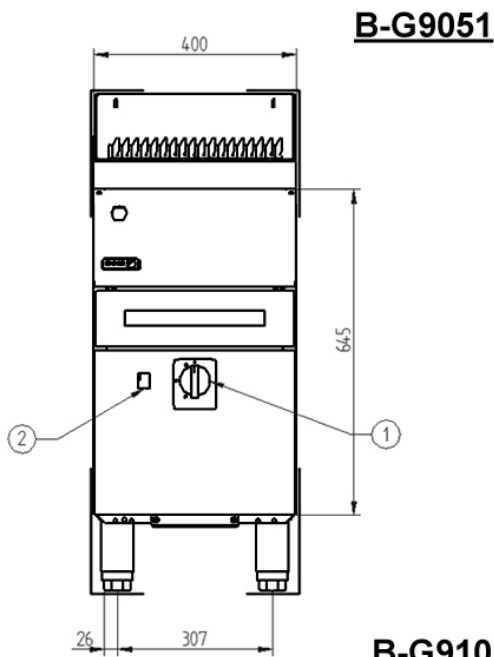


**ELECTRICITY TECHNICAL SPECIFICATIONS**

Electric power	0,100 kW
Voltage	230V - 1N
Amperage	2A
Electric frequency	50/60Hz

**GAS TECHNICAL SPECIFICATIONS**

Gas type	LPG
Gas power	11,00 kW
Gas consumption	0,850 kg/h
Regulated	LPG G30/G31 28-30/37 mbar NG G20/G25/G25.1 20/25/25 mbar



G – Entrada de Gas  
D – Desagüe  
1 – Grifo válvula de gas  
2 – Pulsador tren de chispas

Gas Inlet  
Drainage  
Gas valve tap  
Piezoelectric ignitor