



**Catalogue**  
**CATERING**  
**Chapter**  
**COOKING**

**Model**  
**FT-E910 L 380-415V 3N**

19042680

14/12/2018

**ELECTRIC FRY-TOP, FT-E910 L**

Fry-top plates or hot plates are designed to grill a large amount of products. They are particularly fast and heat is evenly distributed. Thanks to their high power, they reach working temperature in a short time.

2 mm stainless AISI-304 steel top with rounded edges for easy cleaning. Laser cut and automatic welding for a perfect side to side adjustment of modules with square angle finish.

The hot plate is made of 20 mm thick mild steel.

Hot plate integrated into the embedded top. Easy to clean thanks to the rounded edges and embedded construction. Minimum edge radius 3.5 mm for easier cleaning.

Plate and lodging made according to EN-202-3 standard for materials in contact with food.

The plate is slanted forward for an easier collection of fat and liquids.

Fitted with a cooking fat drainage hole and removable collecting tray.

Smooth plate surface.

Useful heating surface: 47 dm<sup>2</sup>. Dimensions: 735 x 640 mm.

Heating by two groups of shielded stainless steel electrical resistances.

The independent control knob for each resistance group allows to work with half or the whole plate.

Thermostat for temperature control (between 100 and 300°C).

The thermostat control allows a more accurate adjustment of the plate cooking temperature for each type of product.

Safety thermostat.

Optional three-piece anti splash removable shields for easy cleaning.

Water-tight and protecting-support controls.

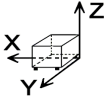
High temperature protector for the chimney made of enamelled cast iron.

Front access to components.

According to European standards for components and panels temperature, efficiencies and combustion, and sanitary regulations (EN-60335 and EN-203)

IPX5 grade water protection equipment.

**DIMENSIONS**



X Width	800 mm	X Gross width	840 mm
Y Depth	930 mm	Y Gross depth	1022 mm
Z Height	290 mm	Z Gross height	535 mm
Net Weight	137,0 kg	Gross Weight	152,0 kg
Net volume	0,283 m <sup>3</sup>	Gross volume	0,459 m <sup>3</sup>

**ELECTRICITY TECHNICAL SPECIFICATIONS**

Electric power	15,000 kW
Heating power	15,00 kW
Voltage	380-415V - 3N
Amperage	25A
Electric frequency	50/60Hz



Catalogue  
**CATERING**

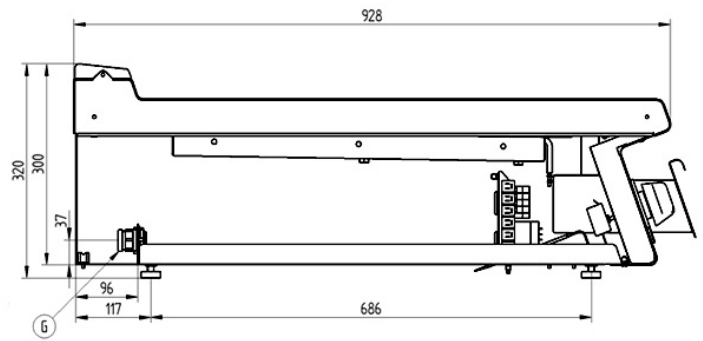
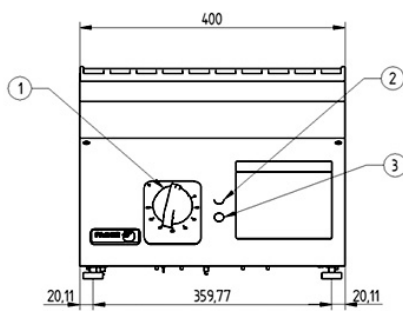
Chapter  
**COOKING**

Model  
**FT-E910 L 380-415V 3N**

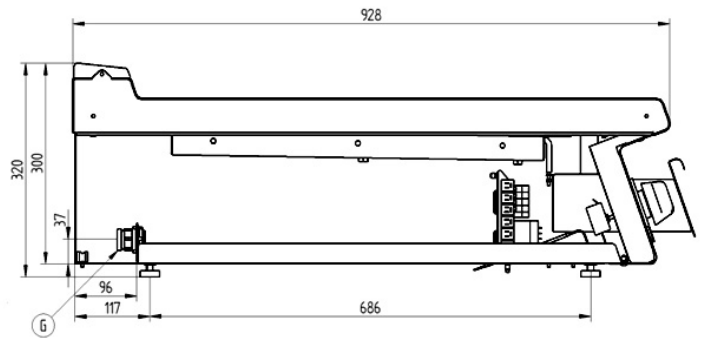
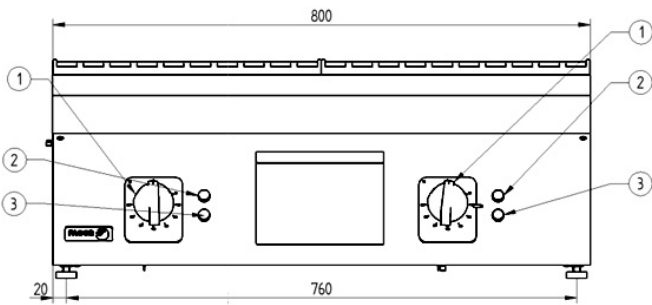
19042680

14/12/2018

**FT-E905**



**FT-E910**



**G. Conexión eléctrica**

- 1. Mando termostato
- 2. Piloto verde
- 3. Piloto ambar

**Electrical connection**

- Thermostat control
- Green pilot
- Ambar pilot